

Product Information

SFP-20-W Series

100M SFP Modules



Features

- ❖ Single + 3.3 V power Supply
- ❖ Small Form Factor Pluggable MSA Compliant
- ❖ Differential Inputs and Output
- ❖ For Single Mode Applications
- ❖ Compliant with SONET / SDH Standard
- ❖ LC Duplex Connector
- ❖ Class 1 Laser International Safety Standard IEC 825 Compliant
- ❖ Industrial Operation Temp.: -40°C to +85 °C
- ❖ RoHS Compliant



Henrich Electronics Corporation

Main Office

Tel: 860-487-9869

Fax: 860-487-9478

www.henrich-inc.com

Introduction

The transceiver from Henrich is small form factor pluggable module with standard LC duplex connector for fiber communications. This module is designed for single mode fiber and operates at a nominal wavelength of 1310nm with cost effective and high performance. It is with the SFP 20-pin connector to allow hot plug capability.

Specifications

Absolute Maximum Ratings	
Supply Voltage	0~4V
Storage Temperature	-40 to +85°C
Operating Temperature	-40 to +85°C

General Specifications	
Data Rate	50 to 200Mbps, Type: 155Mbps
Supported Link Length on 9/125µm SMF	20Km
Supply Current	Max:300mA
Power Dissipation	Max:1000mW

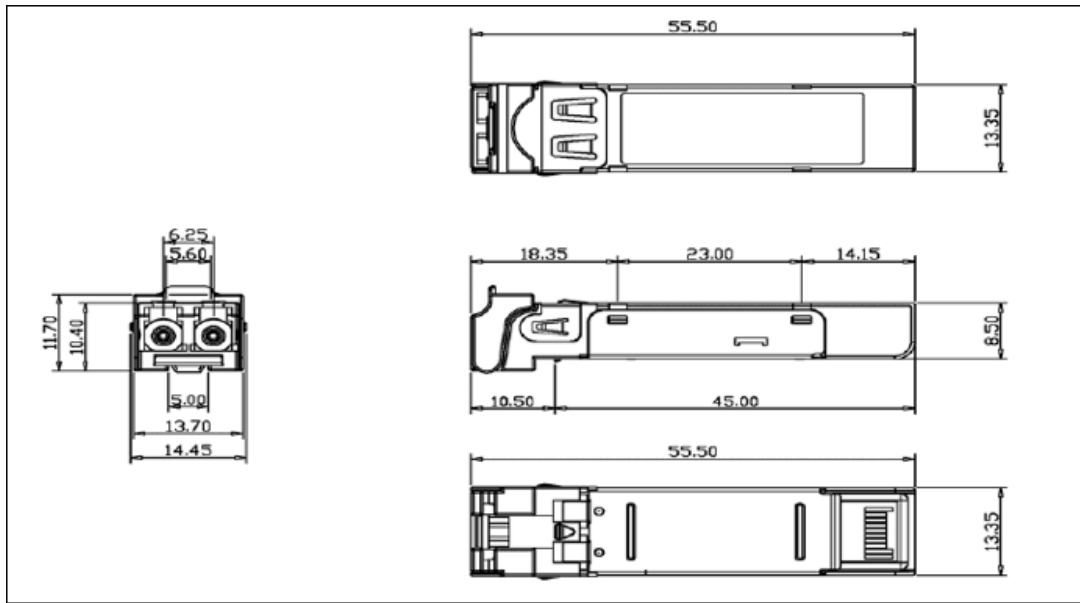
Transmitter Electrical Characteristics	
Supply Voltage	3.15 to 3.45V, type:3.3V
Data Differential Input Voltage	400 to 2000mV
Disable Input Voltage	-1.81 to -1.48V
Enable Input Voltage	-1.16 to -0.88V

Transmitter Optical Characteristics	
Output Optical Power on 9µm SMF :	-15 to -5dBm
Center Wavelength :	1280 to 1340nm, Type:1310
Spectral Width (RMS)	Type: 2nm
Optical Rise Time (20%-80%)	Max: 2ns
Optical Fall Time (20%-80%)	Max: 2ns
Extinction Ratio	Min: 8.2dB
POut@TX Disable Asserted	Max:-45dBm

Receiver Electrical Characteristics	
Supply Voltage	3.15 to 3.45V, type:3.3V
Data Differential Output Voltage	500 to 1200mV
Data Output Rise Time (20%-80%)	Max: 2ns
Data Output Fall Time (20%-80%)	Max: 2ns

Receiver Optical Characteristics	
Maximum Receiver Power	Min: -3dBm
Receiver Sensitivity	Type: -34dBm
Operating Wavelength	1100 to 1600nm
Signal Detect-Asserted	Max:- 34dBm avg.
Signal Detect-Deasserted	Min: -46dBm avg.
Signal Detect-Hysteresis	Min:0.5dB

Dimension drawings



Units:mm

Ordering Information

SFP-20-W	Single Mode Fiber Port with LC Connector, TX1310nm, 20KM, 155Mbps, Industrial Wide Temperature:-40°C to +85°C.
----------	--